

Savannah

Model # 5859

Savannah 16in Patio Planter



DESCRIPTION

The Savannah planter features a gothic motif with a modern flare. The 16 inch square size takes up minimal space making it a perfect addition to the front porch. The sub-irrigation water system encourages root growth and creates a self-watering effect so you can water less, saving time & money.

- Molded polyethylene planter with UV inhibitors
- Weather resistant, low maintenance material
- Features a double wall design creating a water reservoir
- Warranty: 15-Yr Residential Use / 5-Yr Commercial Use

PRODUCT DIMENSIONS

Outside Dimensions: 16in L x 16in W x 16in H (40.6cm x 40.6cm x 40.6cm)

Inside Dimensions: 12.5in L x 12.5in W x 11in D (31.6cm x 31.6cm x 27.9cm)

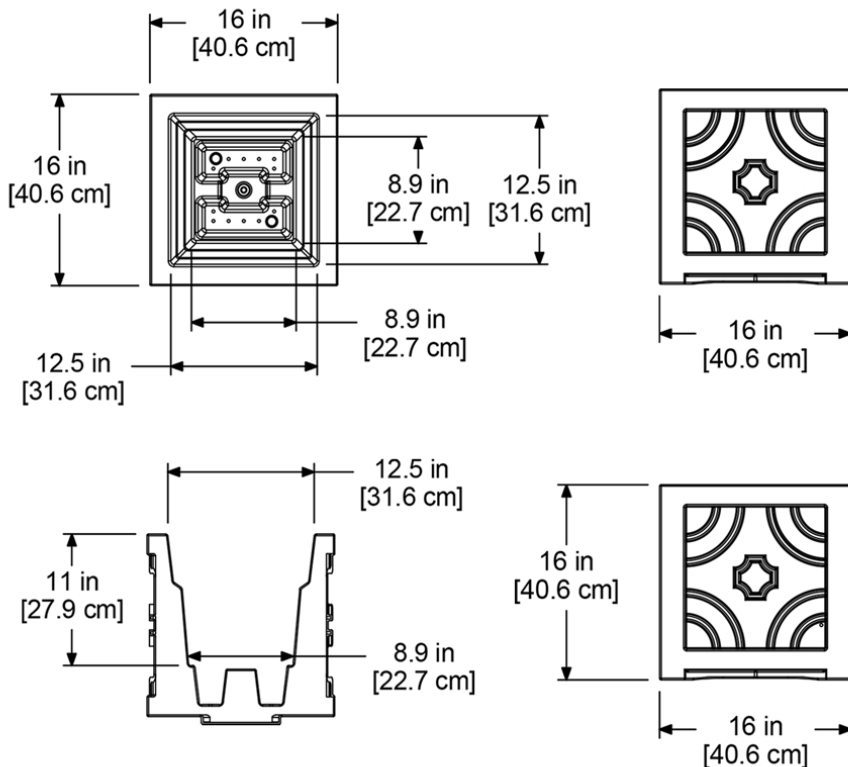
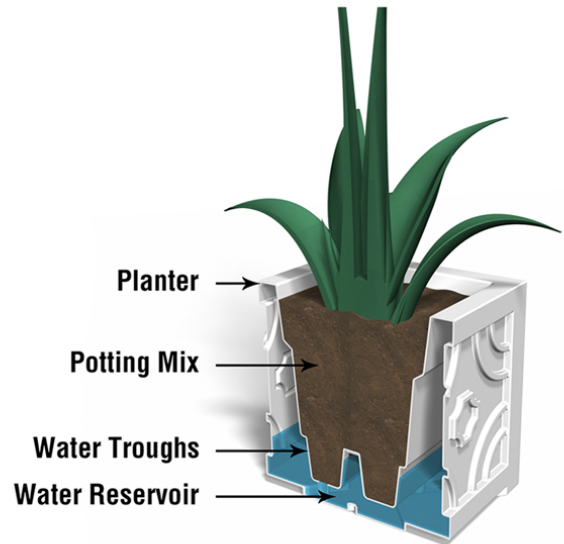
Soil Capacity: 5 Gallons (18.9 Liters)

Water Reservoir Capacity: 3.7 Gallons (14 Liters)

Wall Thickness: 0.12in (3mm)

Part Weight: 8.5lbs (3.9kg)

Material: Polyethylene



MAYNE[®]
Outdoor Products of Distinction

7024 Kilbourne Rd - Unit A London, ON N6P 1K6
Tel: 866-363-8834 | www.gomayne.com
customerservice@gomayne.com